

1008B Forged Brass Ball Valve (Screwed)

Salient Features

- Screwed Female Ends to IS 554 / BS 21 / ISO 7.
- Full Bore, Two Piece Design.
- Quarter Turn, Lever Operated.
- Provided with Forged Brass Hard Chrome Plated Ball.
- Premium Quality PTFE Gland Packing and Seating.
- Chrome Finish.

Test Pressure (Hydrostatic) :
Shell : 25 kg/cm²g (350 psig)
Seat : 16 kg/cm²g (225 psig)
Maximum Working Temperature : 220°C

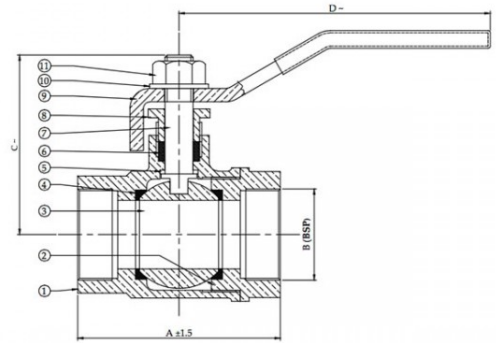
Suitable For

Water, Oil



Materials

P.No.	Name of Part	Material of Construction	Specification	Quantity
1	Body	Forged Brass	IS 6912 Gr. FLB	1
2	Bonnet	Forged Brass	IS 6912 Gr. FLB	1
3	Ball	Forged Brass (Hard Chrome Plated)	IS 6912 Gr. FLB	1
4	Body Seat Ring	PTFE	BS EN 12086 - 1	2
5	Thrust Washer	PTFE	BS EN 12086 - 1	1
6	Gland Packing	PTFE	BS EN 12086 - 1	-
7	Stem	Forged Brass	IS 6912 Gr. FLB	1
8	Gland	Forged Brass	IS 6912 Gr. FLB	1
9	Lever	Mild Steel	- - -	1
10	Nut	Brass (Chrome Plated)	IS 6912 Gr. FLB	1



Sizes / Dimensions

Size (Inches)	Size (mm)	A ±1.5	B	C ~	D ~
1/4	8	47	1/4"	37	90
3/8	10	47	3/8"	37	90
1/2	15	50	1/2"	40	106
3/4	20	58	3/4"	43	132
1	25	67	1"	51	132
1 1/4	32	76	1 1/4"	65	166
1 1/2	40	87	1 1/2"	72	180
2	50	104	2"	80	216
2 1/2	65	139	2 1/2"	102	216
3	80	155	3"	110	280
4	100	177	4"	124	280