

1081 Stainless Steel CF8 (S.S-304) Three Piece Design Ball Valve Class-150 (Screwed)

Salient Features

- Design Standard BSEN ISO 17292 (BS 5351).
- Screwed Female Ends to BSPT / NPT / Socket Weld.
- Reduced Bore, Three Piece Design.
- Superb in Quality and Performance.

Test Pressure (Hydrostatic) :

Shell : 31 kg/cm²g (440 psig)

Maximum Working Pressure : 21 kg/cm²g (300 psig)

Seat (Pneumatic) : 7kg/cm²g (100 psig)

Maximum Working Temperature : 220°C

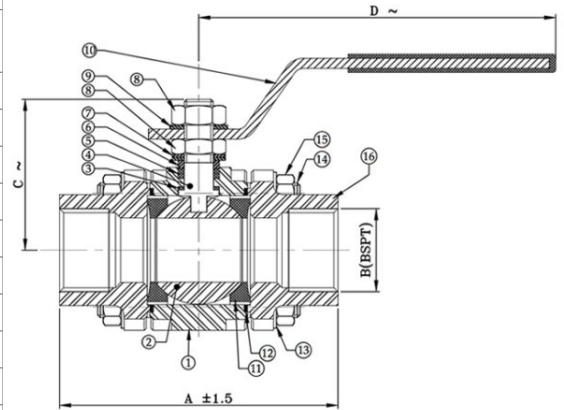


Suitable For

Steam, Water, Oil, Air, Gases

Materials

P.No.	Name of Part	Material of Construction	Specification	Qty.
1	Body	Stainless Steel	ASTM A 351 Gr. CF8	1
2	Ball	Stainless Steel	ASTM A276 Type 304 / ASTM A 351 Gr. CF8	1
3	Thrust Washer	PTFE 35% Carbon Filled	BSEN 12086 - 1	1
4	Stem	Stainless Steel	ASTM A276 Type 304	1
5	Packing Ring	PTFE 35% Carbon Filled	BSEN 12086 - 1	2
6	Gland	Stainless Steel	ASTM A276 Type 304	1
7	Cup Washer	Stainless Steel	ASTM A276 Type 304	2
8	Nut	H.T. Steel	ASTM A 194 Gr. 2H	2
9	Spring Washer	Spring Steel / Stainless Steel	EN 47 Gr. B / Type 304	1
10	Lever	Carbon Steel	---	1
11	Body Seat Ring	PTFE	BSEN 12086 - 1	2
12	Gasket	PTFE	BSEN 12086 - 1	2
13	Spring Washer	Spring Steel / Stainless Steel	EN 47 Gr. B / Type 304	8
14	Studs	Alloy Steel	ASTM A 193 Gr. B7	4
15	Nuts	H.T. Steel	ASTM A 194 Gr. 2H	8
16	End Connector	Stainless Steel	ASTM A 351 Gr. CF8	2



Sizes / Dimensions

Size (Inches)	Size (mm)	A ±1.5	B	C ~	D ~
1/2	15	69	1/2"	38	112
3/4	20	73	3/4"	40	125
1	25	95	1"	57	168
1 1/4	32	105	1 1/4"	65	168
1 1/2	40	115	1 1/2"	75	177
2	50	128	2"	75	220