

1078A Butterfly Valve (Wafer Type) with SG Iron Disc - Gear Operated

Salient Features

- Design Standard IS 13095 / BSEN 593 (BS 5155).
- Wafer Type.
- Gear Operated.
- S.G Iron construction.
- S.G Iron disc which is accurately guided between the two stems.
- Integrally moulded rubber lining (EPDM / Nitrile / Neoprene* / Viton* / Silicon*) as per requirement which provides seating to the valve disc, as a primary seal to the stem and gasket joint with matching pipe flanges.
- Two Piece Stem design which is precisely guided between the PTFE / Bronze bushes.
- Compatible to sandwich between flanges as per BS 10 Table D, E, F,H, DIN, PN10, PN16, PN25, PN40, ASA 150, ASA 300, IS 778, IS 6392 Table 17 and IS 1538.



*Valves with Neoprene / Viton / Silicon lining can also be provided at nominal extra cost.

PN10 -

Test Pressure (Hydrostatic) :

Shell : 15 bar (220 psig)

Seat : 11 bar (160 psig).

Maximum Working Pressure : 10 bar (140 psig)

Maximum Working Temperature : 90°C

PN16 -

Test Pressure (Hydrostatic) :

Shell : 24 bar (340 psig)

Seat : 17.6 bar (250 psig)

Maximum Working Pressure : 16 bar (230 psig)

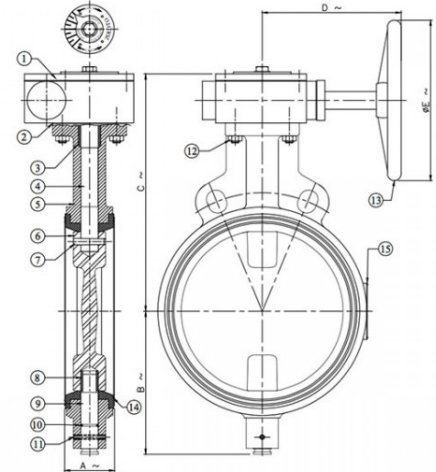
Maximum Working Temperature : 90°C

Suitable For

Water

Materials

P.No.	Name of Part	Material of Construction	Specification	Qty.
1	Gear Box Assembly	---	---	1
2	Gasket	Steam Jointing Sheet	IS2712 Gr. W/3	1
3	Packing Bush	PTFE / Bronze	BSEN 12086-1 / IS 318 Gr. LTB 2	1
4	Upper Stem	Stainless Steel	ASTM A 276 Type 410	1
5	Body	S.G. Iron	ASTM A 536 / IS 1865	1
6	Disc	S. G. Iron	ASTM A 536 / IS 1865	1
7	Taper Pin (Optional)	Stainless Steel	ASTM A 276 Type 410	1
8	Bush	PTFE / Bronze	BSEN 12086-1 / IS 318 Gr. LTB 2	1
9	Lower Stem	Stainless Steel	ASTM A 276 Type 410	1
10	'O' Ring	Nitrile Rubber	IS 5192 - 1	1
11	Dowel Pin	Spring Steel	---	1
12	C - Sunk Screw & Nuts	Carbon Steel	---	4 Each
13	Handwheel	Cast Iron / Sheet Metal	IS 210 Gr. FG 200 / ---	1
14	Body Lining	EPDM / Nitrile	IS 5192 - 1	1
15	Name Plate	Aluminium	---	1



Sizes / Dimensions

Size (Inches)	Size (mm)	A ±1.5	ØB	C ~	D ~
8	200	57.5	199.6	180	295
10	250	65.5	250	220	320
12	300	77.5	298	250	344

Size (Inches)	Size (mm)	A ±1.5	ØB	C ~	D ~
14	350	85	350	280	380
16	400	96	392	300	410
18	450	108	440	330	466
24	600	146.5	590	440	610