

1078B Butterfly Valve (Wafer Type) with S.S. Disc

Salient Features

- Design Standard IS 13095 / BSEN 593 (BS 5155).
- Wafer Type.
- Lever Operated.
- S.G Iron construction.
- Stainless Steel (CF8 / CF8M*) Disc which is accurately guided between the two stems.
- Integrally moulded rubber lining (EPDM / Nitrile / Neoprene* / Viton* / Silicon*) as per requirement which provides seating to the valve disc, as a primary seal to the stem and gasket joint with matching pipe flanges.
- Two Piece Stem design which is precisely guided between the PTFE / Bronze bushes.
- Compatible to sandwich between flanges as per BS 10 Table D, E, F,H, DIN, PN10, PN16, PN25, PN40, ASA 150, ASA 300, IS 778, IS 6392 Table 17 and IS 1538.



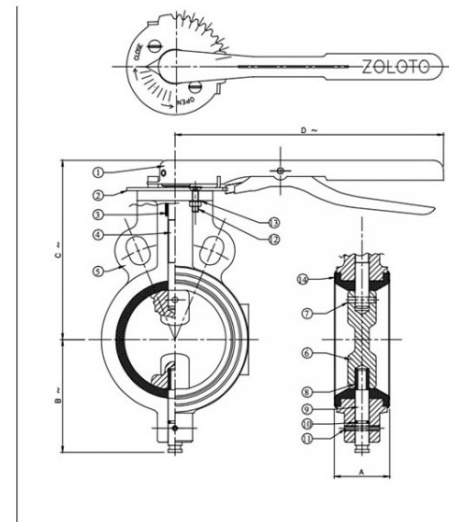
*Valves with Neoprene / Viton / Silicon lining and CF8M (S.S 316) Disc can also be provided at nominal extra cost.

PN16 -
Test Pressure (Hydrostatic) :
Shell : 24 bar (340 psig)
Seat : 17.6 bar (250 psig)
Maximum Working Pressure : 16 bar (230 psig)
Maximum Working Temperature : 90°C

Suitable For
Water

Materials

| P.No. | Part Name | Material | Specification | Qty. |
|-------|-----------------------|-----------------------------|---------------------------------|--------|
| 1 | Flow Control Lever | Carbon Steel (Power Coated) | --- | 1 |
| 2 | Notch Plate | Carbon Steel (Power Coated) | --- | 1 |
| 3 | Packing Bush | PTFE/Bronze | BSEN 12086-1 / IS 318 Gr. LTB 2 | 1 |
| 4 | Upper Stem | Stainless Steel | ASTM A 276 Type 410 | 1 |
| 5 | Body | S.G. Iron | ASTM A 536 / IS 1865 | 1 |
| 6 | Disc | Stainless Steel | ASTM A 351 Gr. CF8 | 1 |
| 7 | Name Plate | Aluminium | --- | 1 |
| 8 | Bush | PTFE/Bronze | BSEN 12086 / IS 318 Gr. LTB 2 | 1 |
| 9 | Lower Stem | Stainless Steel | ASTM A 276 Type 410 | 1 |
| 10 | 'O' Ring | Nitrile Rubber | IS 5192 - 1 | 1 |
| 11 | Dowel Pin | Spring Steel | --- | 1 |
| 12 | C - Sunk Screw & Nuts | Carbon Steel | --- | 2 Each |
| 13 | Locking Washer | Spring Steel | --- | 2 |
| 14 | Boby Lining | EPDM/Nitrile | IS 5192 - 1 | 1 |



Sizes / Dimensions

| Size (Inches) | Size (mm) | A ±1.5 | ØB | C~ | D~ | E~ |
|---------------|-----------|--------|-------|-----|-----|-----|
| 1 1/2 | 40 | 35 | 38.5 | 57 | 113 | 260 |
| 2 | 50 | 41.5 | 50 | 73 | 125 | 260 |
| 2 1/2 | 65 | 44 | 64.5 | 80 | 140 | 260 |
| 3 | 80 | 44.5 | 79 | 88 | 145 | 260 |
| 4 | 100 | 50 | 99 | 110 | 178 | 260 |
| 5 | 125 | 53 | 124.5 | 122 | 190 | 260 |
| 6 | 150 | 54.5 | 148.7 | 151 | 204 | 260 |

NOTE : Valves upto 150mm can also be provided with limit switch and gear arrangement at nominal extra cost.