

1078D Butterfly Valve (Wafer Type) with Pneumatic Actuator

Salient Features

- Design Standard IS 13095 / BSEN 593 (BS 5155).
- Wafer Type.
- Double Acting Pneumatic Actuator Operated.
- S.G Iron construction.
- Stainless Steel (CF8 / CF8M*) Disc which is accurately guided between the two stems.
- Actuator is with position indicator and adjustable center stopper for both open and closed position.
- Scotch Yoke Technology as the most suitable mechanism for valve and damper operation, producing higher torque at both end positions.
- Actuator is without Rack and Pinion for smooth operation and longer life.
- Integrally moulded rubber lining (EPDM / Nitrile / Neoprene* / Viton* / Silicon*) as per requirement which provides seating to the valve disc, as a primary seal to the stem and gasket joint with matching pipe flanges.
- Two Piece Stem design which is precisely guided between the PTFE / Bronze bushes.
- Compatible to sandwich between flanges as per BS 10 Table D, E, F, H, DIN, PN10, PN16, PN25, PN40, ASA 150, ASA 300, IS 778, IS 6392 Table 17 and IS 1538.



*Valves with Neoprene / Viton / Silicon lining and CF8M (S.S 316) Disc can also be provided at nominal extra cost.

PN10 -

Test Pressure (Hydrostatic) :

Shell : 15 bar (220 psig)

Seat : 11 bar (160 psig)

Maximum Working Pressure : 10 bar (140 psig)

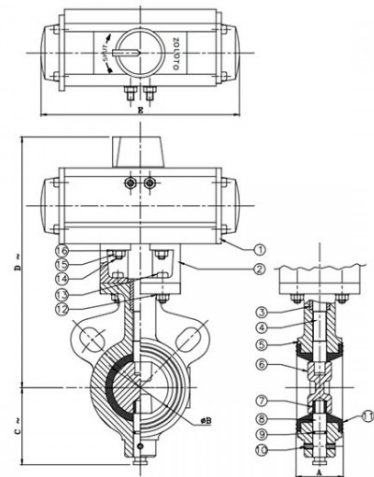
Maximum Working Temperature : 90°C

Suitable For

Water

Materials

P.No.	Name of Part	Material of Construction	Specification	Qty.
1	Pneumatic Actuator	---	---	1
2	Actuator Base	Carbon Steel	---	1
3	Packing Bush	PTFE / Bronze	BSEN 12086 - 1 / IS 318 Gr. LTB 2	1
4	Upper Stem	Stainless Steel	ASTM A 276 Type 410	1
5	Body	S.G. Iron	ASTM A 536 / IS 1865	1
6	Disc	Stainless Steel	ASTM A 351 Gr. CF8	1
7	Studs for Actuator	Carbon Steel	IS 1367	1
8	Bush	PTFE / Bronze	BSEN 12086 - 1 / IS 318 Gr. LTB 2	1
9	Lower Stem	Stainless Steel	ASTM A 276 Type 410	1
10	'O' Ring	Nitrile Rubber	IS 5192 - 1	1
11	Dowel Pin	Spring Steel	---	1
12	L - Key Bolts & Nuts	Carbon Steel	IS 1367	4 Each
13	Locking Washer	Spring Steel	---	1
14	Body Lining	EPDM / Nitrile	IS 5192 - 1	1
15	Name Plate	Aluminium	---	4
16	Nuts	Carbon Steel	IS 1367	4
17	Spring Washer	Spring Steel	---	4



Sizes / Dimensions

Size (Inches)	Size (mm)	A ±1.5	ØB	C ~	D ~	E ~	Actuator Model No.
2	50	41.5	50	73	235	185	PD 50
2 1/2	65	44	64.5	80	247	185	PD 50

Size (Inches)	Size (mm)	A ±1.5	ØB	C ~	D ~	E ~	Actuator Model No.
3	80	44.5	79	88	258	185	PD 50
4	100	50	99	110	306	250	PD 70
6	150	54.5	148.7	151	340	250	PD 70
8	200	57.5	199.6	180	445	350	PD 100