

## 1078F Butterfly Valve (Wafer Type) with Electrical Actuator

### Salient Features

- Design Standard IS 13095 / BSEN 593 (BS 5155).
- Wafer Type.
- Electrical Acuator Operated.
- S.G Iron construction.
- Stainless Steel (CF8 / CF8M\*) Disc which is accurately guided between the two stems.
- Actuator is with position indicator and adjustable center stopper for both open and closed position.
- Compliant with B.M.S (Building Management System).
- Provided with extended wire for ease of installation.
- IP 67 protection available for outdoor application.
- Inbuilt micro switch position feedback.
- Input Voltage - 24/230 V power supply.
- Integrally moulded rubber lining (EPDM / Nitrile / Neoprene\* / Viton\* / Silicon\*) as per requirement which provides seating to the valve disc, as a primary seal to the stem and gasket joint with matching pipe flanges.
- Two Piece Stem design which is precisely guided between the PTFE / Bronze bushes.
- Compatible to sandwich between flanges as per BS 10 Table D, E, F,H, DIN, PN10, PN16, PN25, PN40, ASA 150, ASA 300, IS 778, IS 6392 Table 17 and IS 1538.

Photo Not Available

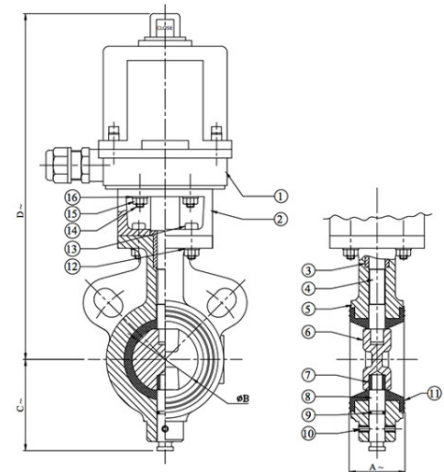
\*Valves with Neoprene / Viton / Silicon lining and CF8M (S.S 316) Disc can also be provided at nominal extra cost.

PN10 -  
Test Pressure (Hydrostatic) :  
Shell : 15 bar (220 psig)  
Seat : 11 bar (160 psig)  
Maximum Working Pressure : 10 bar (140 psig)  
Maximum Working Temperature : 90°C

**Suitable For**  
Water

### Materials

P.No.	Name of Part	Material of Construction	Specification	Qty.
1	Electric Actuator	---	---	1
2	Actuator Base	Carbon Steel	---	1
3	Packing Bush	PTFE / Bronze	BSEN 12086 - 1 / IS 318 Gr. LTB 2	1
4	Upper Stem	Stainless Steel	ASTM A276 Type 410	1
5	Body	S.G. Iron	ASTM A536 / IS 1865	1
6	Disc	Stainless Steel	ASTM A315 Gr. CF8	1
7	Studs for Actuator	Carbon Steel	IS 1367	4
8	Bush	PTFE / Bronze	BSEN 12086 - 1 / IS 318 Gr. LTB 2	1
9	Lower Stem	Stainless Steel	ASTM A276 Type 410	1
10	'O' Ring	Nitrile Rubber	IS 5192-1	1
11	Dowel Pin	Spring Steel	---	1
12	L-Key Bolts & Nuts	Carbon Steel	---	4 Each
13	Locking Washer	Spring Steel	---	1
14	Body Lining	EPDM/ Nitrile	IS 5192 - 1	1
15	Name Plate	Aluminium	---	1
16	Nuts	Carbon Steel	IS 1367	4
17	Spring Washer	Spring Steel	---	4



## Sizes / Dimensions

Size (Inches)	Size (mm)	A ±1.5	ØB	C ~	D ~	Actuator Model No.
2	50	41.5	50	73	293	SY 1
2 1/2	65	44	64.5	80	305	SY 1
3	80	44.5	79	88	316	SY 1
4	100	50	99	110	343	SY 1
5	125	53	124.5	122	463	SY 2
6	150	54.5	148.7	151	482	SY 2
8	200	57.5	199.6	180	540	SY 2
10	250	65.5	250	220	628	SY 4
12	300	77.5	298	250	650	SY 4

**NOTE :** Butterfly Valve with IP 54 actuator (For Indoor Application) can be made available.