

## 1013 Bronze Horizontal Check Valve No.9 (Screwed)

### Salient Features

- Screwed Female Ends to IS 554 / BS 21 / ISO 7.
- Screwed on Bonnet.
- Permits flow in one direction and closes automatically if the flow reverses.
- Renewable 13% Cr. Stainless Steel (SS 410) working parts.
- Metal Disc is mushroom shaped with spherical seating surface.
- Meant for Horizontal Lines Only.
- Disc is guided in Bonnet.

Test Pressure (Hydrostatic) :  
Shell : 35 kg/cm<sup>2</sup>g (500 psig)  
Working Pressure (Steam) : 10.55 kg/cm<sup>2</sup>g (150 psig)  
Maximum Working Temperature : 225°C

### Suitable For

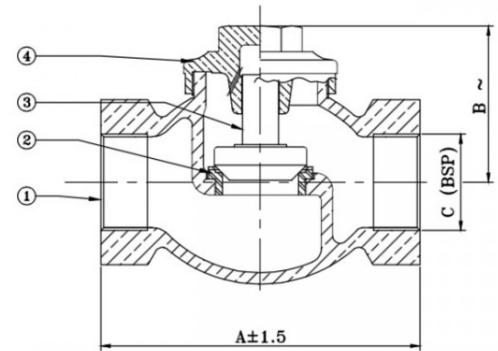
Steam, Water, Oil, Air\*, Gases\*

\*Also available with PTFE Seating for Air and Gas applications, at a nominal extra price.



### Materials

| P.No. | Name of Part   | Material of Construction | Specification      | Quantity |
|-------|----------------|--------------------------|--------------------|----------|
| 1     | Body           | Bronze                   | IS 318 Gr. LTB 2   | 1        |
| 2     | Body Seat Ring | Stainless Steel          | ASTM A276 Type 410 | 1        |
| 3     | Disc           | Stainless Steel          | ASTM A276 Type 410 | 1        |
| 4     | Bonnet         | Bronze                   | IS 318 Gr. LTB 2   | 1        |



### Sizes / Dimensions

| Size (Inches) | Size (mm) | A ±1.5 | B ~ | C      |
|---------------|-----------|--------|-----|--------|
| 1/4           | 8         | 60     | 40  | 1/4"   |
| 3/8           | 10        | 60     | 43  | 3/8"   |
| 1/2           | 15        | 68     | 48  | 1/2"   |
| 3/4           | 20        | 84     | 50  | 3/4"   |
| 1             | 25        | 95     | 61  | 1"     |
| 1 1/4         | 32        | 106    | 72  | 1 1/4" |
| 1 1/2         | 40        | 120    | 84  | 1 1/2" |
| 2             | 50        | 146    | 93  | 2"     |
| 2 1/2         | 65        | 180    | 109 | 2 1/2" |
| 3             | 80        | 200    | 121 | 3"     |
| 4             | 100       | 248    | 146 | 4"     |