

1038 Bronze Horizontal Check Valve (Screwed)

Salient Features

- Screwed Female Ends to IS 554 / BS 21 / ISO 7.
- Screwed in Bonnet, meant for Horizontal Lines Only.
- Permits flow in one direction and shuts automatically if the flow reverses.
- Metal Disc is mushroom shaped with spherical seating surface.
- Disc is guided in Body as well as in Bonnet.
- Design Standard IS 778, Class-1.
- Also available with metal to metal seating.

Test Pressure (Hydrostatic) :

Shell : 1.5 MPa

Seat : 0.25 MPa

Maximum Working Temperature : 80°C

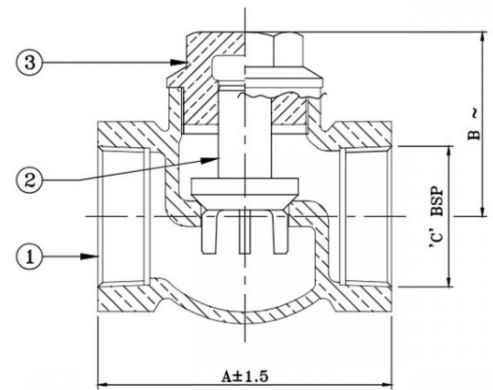
Suitable For

Water, Oil



Materials

P.No.	Name of Part	Material of Construction	Specification	Quantity
1	Body	Bronze	IS 318 Gr. LTB 2	1
2	Disc	Bronze	IS 318 Gr. LTB 2	1
3	Bonnet	Bronze / Forged Brass	IS 318 Gr. LTB 2 / IS 6912 Gr. FLB	1
4	'O' Ring	Nitrile Rubber	IS 5192 - 1	1



Sizes / Dimensions

Size (Inches)	Size (mm)	A ± 1.5	B ~	C
1/2	15	60	40	1/2"
3/4	20	70	45	3/4"
1	25	80	55	1"
1 1/4	32	95	59	1 1/4"
1 1/2	40	110	65	1 1/2"
2	50	125	74	2"
2 1/2	65	160	85	2 1/2"
3	80	180	105	3"
4	100	216	131	4"