

1039 Bronze Horizontal Check Valve (Flanged)

Salient Features

- Flanged Ends to IS 778.
- Screwed in Bonnet, meant for Horizontal Lines Only.
- Permits flow in one direction and closes automatically if the flow reverses.
- Metal Disc is mushroom shaped with spherical seating surface.
- Disc is guided in Body as well as in Bonnet.
- Design Standard IS 778, Class-1.
- Also available with metal to metal seating.

Test Pressure (Hydrostatic) :

Shell : 1.5 MPa

Seat : 0.25 MPa

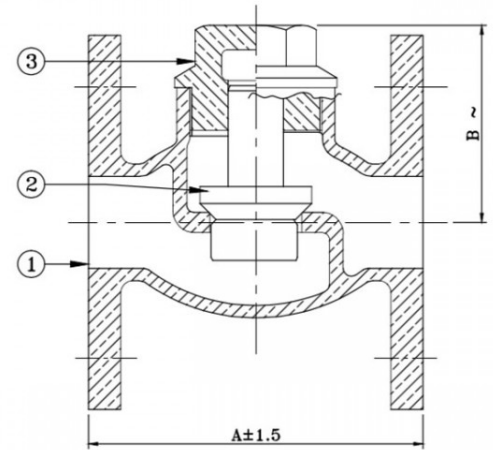
Maximum Working Temperature : 80°C

Suitable For

Water, Oil

Materials

P.No.	Name of Part	Material of Construction	Specification	Quantity
1	Body	Bronze	IS 318 Gr. LTB 2	1
2	Disc	Bronze	IS 318 Gr. LTB 2	1
3	Bonnet	Bronze / Forged Brass	IS 318 Gr. LTB 2 / IS 6912 Gr. FLB	1
4	'O' Ring	Nitrile Rubber	IS 5192 - 1	1



Sizes / Dimensions

Size (Inches)	Size (mm)	A ± 1.5	B ~
1/2	15	75	40
3/4	20	85	45
1	25	95	55
1 1/4	32	110	59
1 1/2	40	120	65
2	50	145	74
2 1/2	65	165	85
3	80	185	105
4	100	216	131