

1051 Bronze Combined Cock & Feed Check Valve (Flanged) ^{I.B.R}

Salient Features

- Flanged End to BS 10 Table 'F'.
- Tapered Plug accurately ground to ensure water tightness.
- Quarter Turn, Rectangular Port.
- High Quality lubricated Gland Packing.

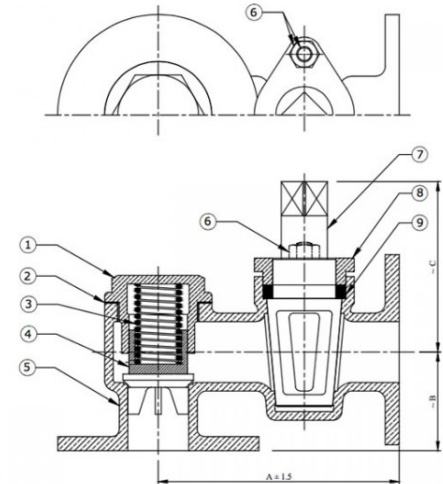
Test Pressure (Hydrostatic) :
Shell : 21.10 kg/cm²g (300 psig)
Working Pressure (Steam) : 10.55 kg/cm²g (150 psig)
Maximum Working Temperature : 225°C

Suitable For
Steam, Water



Materials

P.No.	Name of Part	Material of Construction	Specification	Quantity
1	Cover	Bronze	IBR 282 (a) (iv) Gr. B	1
2	Gasket	Steam Jointing Sheet	IS 2712 Gr. W/3	1
3	Spring (Optional)	Spring Steel	EN 47 Gr. B	1
4	Disc	Bronze	IBR 282 (a) (iv) Gr. B	1
5	Body	Bronze	IBR 282 (a) (iv) Gr. B	1
6	Studs & Nuts	Carbon Steel	IS 1367	2 Each
7	Plug	Bronze	IBR 282 (a) (iv) Gr. B	1
8	Gland	Bronze	IBR 282 (a) (iv) Gr. B	1
9	Gland Packing	Graphited Asbestos	IS 4687	-



Sizes / Dimensions

Size (Inches)	Size (mm)	A ±1.5	B ~	C ~
1/2	15	103	46	62
3/4	20	111	49	80
1	25	135	60	89
1 1/4	32	152	67	95
1 1/2	40	168	73	102
2	50	198	81	140