

1060 Bronze Controllable Feed Check Valve Straight Pattern (Flanged)

I.B.R

Salient Features

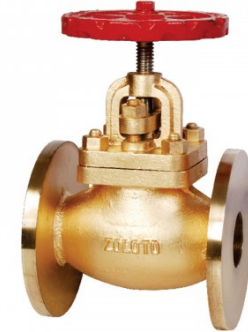
- Flanged Ends to BS 10 Table 'H'.
- Straight Pattern, Screwed / Bolted Bonnet, Outside Screw, Rising Stem, Yoke Type.
- Provision for re-packing under pressure.
- Renewable 13% Cr. Stainless Steel (SS 410) working parts.
- Metal Disc is mushroom shaped with spherical seating surface.
- Premium Quality Lubricated Gland Packing.
- Handwheel Operated.
- Body Seat Ring and Disc are heat treated for longer life.

Test Pressure (Hydrostatic) :

Shell : 35.15 kg/cm²g (500 psig)

Working Pressure (Steam) : 17.58 kg/cm²g (250 psig)

Maximum Working Temperature : 225°C

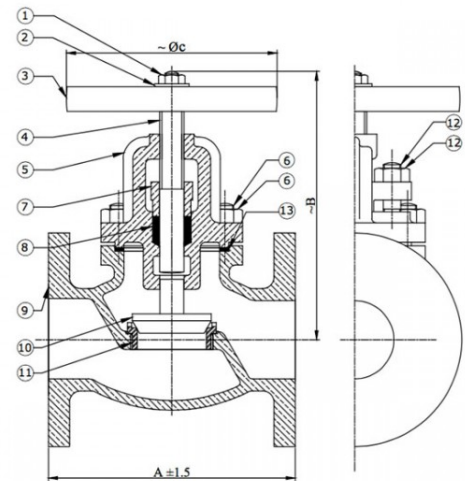


Suitable For

Steam, Water

Materials

P.No.	Name of Part	Material of Construction	Specification	Quantity
1	Nut	Carbon Steel	---	1
2	Washer	Carbon Steel	---	1
3	Handwheel	Cast Iron	IS 210 Gr. FG 200	1
4	Stem	Stainless Steel	ASTM A276 Type 410	1
5	Bonnet	Bronze	IBR 282 (a) (iv) Gr. B	1
6	Studs & Nuts	Carbon Steel	IS 1367	To Suit
7	Gland	Bronze	IBR 282 (a) (iv) Gr. B	1
8	Gland Packing	Graphited Asbestos	IS 4687	
9	Body	Bronze	IBR 282 (a) (iv) Gr. B	1
10	Disc	Stainless Steel	ASTM A276 Type 410	1
11	Body Seat Ring	Stainless Steel	ASTM A276 Type 410	1
12	Studs & Nuts	Carbon Steel	IS 1367	To Suit
13	Gasket	Steam Jointing Sheet	IS 2712 Gr. W/3	1



Sizes / Dimensions

Size (Inches)	Size (mm)	A ± 1.5	B ~	ØC ~
1/2	15	102	115	70
3/4	20	114	115	80
1	25	127	138	95
1 1/4	32	140	158	110
1 1/2	40	152	170	127
2	50	178	195	152