

1079C Cast Iron Sluice Valve PN-1.0 (Flanged) with Rising Stem

Salient Features

- Design Standard IS 14846.
- Flanged ends to IS 1538.
- Bolted Bonnet, Outside Screw, Yoke Type, Rising Spindle, Solid Wedge.
- Hand wheel operated.
- Rigid and Sturdy design.
- Provision of Re-Packing under pressure.

Test Pressure (Hydrostatic) :
Shell : 1.5 MPa
Seat : 1.0 MPa
Maximum Working Temperature : 80°C

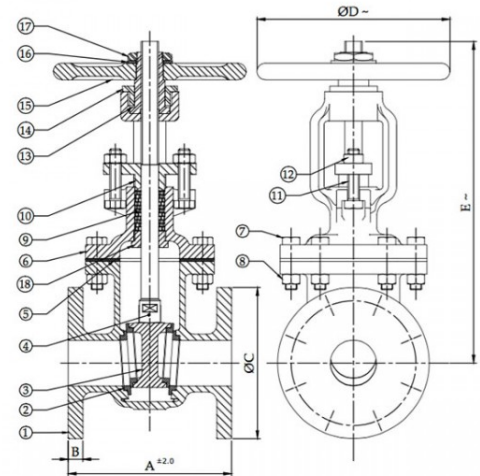
Suitable For

Water



Materials

P.No.	Name of Part	Material of Construction	Specification	Qty.
1	Body	Cast Iron	IS 210 Gr. FG 200	1
2	Seat Ring	Bronze	IS 318 Gr. LTB 2	4
3	Wedge	Cast Iron	IS 210 Gr. FG 200	1
4	Stem	Stainless Steel	IS 6603 Gr. 12 Cr. 12	1
5	Gasket	Rubber	IS 638 Type B	1
6	Bonnet	Cast Iron	IS 210 Gr. FG 200	1
7	Bolt	Carbon Steel	IS 1367	-
8	Nut	Carbon Steel	IS 1367	-
9	Gland Packing	Hemp. & Jute	IS 5414	1
10	Gland Flange	Cast Iron	IS 210 Gr. FG 200	1
11	Bolt	Carbon Steel	IS 1367	2
12	Nut	Carbon Steel	IS 1367	2
13	Sleeve	S.G. Iron	ASTM A 536 / IS 1865	1
14	Sleeve Nut	Stainless Steel	IS 6603 Gr. 12 Cr. 12	1
15	Handwheel	Cast Iron	IS 210 Gr. FG 200	1
16	Washer	Carbon Steel	---	1
17	Handwheel Nut	Stainless Steel	IS 6603 Gr. 12 Cr. 12	1
18	Back Seat Bush	Bronze	IS 318 Gr. LTB 2	1



Sizes / Dimensions

Size (Inches)	Size (mm)	A ±2	B	ØC	ØD ~	E ~
2	50	178	16 +2	165	225	350
2 1/2	65	190	16 +2	185	225	410
3	80	203	21 ±3	200	225	455
4	100	229	22 ±3	220	320	540
5	125	254	22.5 ±3	250	320	588
6	150	267	23 ±3	285	320	655
8	200	292	24.5 ±3	340	360	780
10	250	330	26 ±3	395	400	960
12	300	356	27.5 ±3	445	400	1140

NOTE : Valve is also available with Brass Spindle at a nominal extra cost.