

1032 Bronze Union Bonnet Globe Valve (Flanged)

Salient Features

- Flanged Ends to BS 10 Table 'F'.
- Screwed on Bonnet, Rising Stem.
- Provision for re-packing under pressure.
- Renewable 13% Cr. Stainless Steel (SS 410) working parts.
- Handwheel Operated.

Test Pressure (Hydrostatic) :
Shell : 35 kg/cm²g (500 psig)
Working Pressure (Steam) : 10.55 kg/cm²g (150 psig)
Maximum Working Temperature : 225°C

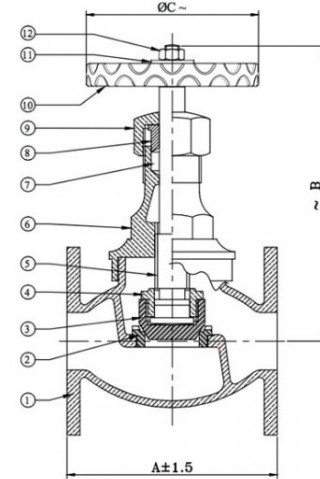
Suitable For

Steam, Water, Oil, Air*, Gases*
*Also available with PTFE Seating for Air and Gas applications, at a nominal extra price.



Materials

P.No.	Name of Part	Material of Construction	Specification	Quantity
1	Body	Bronze	IS 318 Gr. LTB 2	1
2	Body Seat Ring	Stainless Steel	ASTM A276 Type 410	1
3	Disc	Stainless Steel	ASTM A276 Type 410	1
4	Disc Nut	Bronze	IS 318 Gr. LTB 2	1
5	Stem	Stainless Steel	ASTM A276 Type 410	1
6	Bonnet	Bronze	IS 318 Gr. LTB 2	1
7	Gland Packing	Asbestos	IS 4687	-
8	Gland	Bronze	IS 318 Gr. LTB 2	1
9	Gland Nut	Bronze	IS 318 Gr. LTB 2	1
10	Hand Wheel	Cast Iron	IS 210 Gr. FG 200	1
11	Washer	Carbon Steel	- - -	1
12	Nut	Carbon Steel	- - -	1



Sizes / Dimensions

Size (Inches)	Size (mm)	A ±1.5	B ~	ØC ~
1/2	15	82	117	70
3/4	20	96	132	80
1	25	112	148	86
1 1/4	32	119	176	102
1 1/2	40	132	188	102
2	50	157	216	127
2 1/2	65	185	248	150
3	80	213	270	170
4	100	248	332	190