


1034 Bronze Globe Valve (Flanged) 

Salient Features

- Flanged Ends to IS 778.
- Screwed in Bonnet, Inside Screw, Rising Stem, Integral Seat.
- Provision for re-packing under pressure.
- Premium Quality PTFE Gland Packing.
- Design Standard IS 778, Class-1.
- Designed sheet metal handwheel for a firm grip and convenient operation.

Test Pressure (Hydrostatic) :
Shell : 1.5 MPa
Seat & Back Seat : 1.0 MPa
Maximum Working Temperature : 225°C

Suitable For

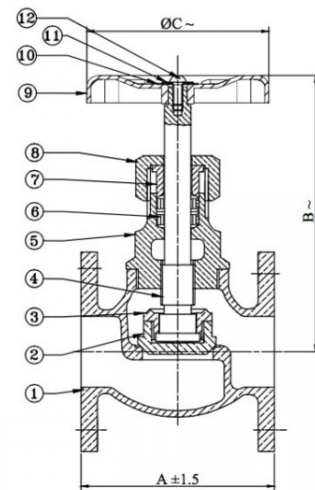
Water, Oil

*Also available with Open-Shut Indicator and Locking Device and with PTFE Seating, at a nominal extra price.



Materials

P.No.	Name of Part	Material of Construction	Specification	Quantity
1	Body	Bronze	IS 318 Gr. LTB 2	1
2	Disc	Bronze	IS 318 Gr. LTB 2	1
3	Disc Nut	Bronze	IS 318 Gr. LTB 2	1
4	Stem	Forged Brass	IS 6912 Gr. FLB	1
5	Bonnet	Bronze	IS 318 Gr. LTB 2	1
6	Gland Packing	PTFE	BSEN 12086 - 1	-
7	Gland	Forged Brass	IS 6912 Gr. FLB	1
8	Gland Nut	Forged Brass	IS 6912 Gr. FLB	1
9	Handwheel	Sheet Metal (Powder Coated) / Cast Iron	- - - / IS 210 Gr. FG 200	1
10	Name Plate	Aluminium	- - -	1
11	Washer	Carbon Steel (Zinc Plated)	- - -	1
12	Screw / Bolt	Carbon Steel (Zinc Plated)	IS 1367	1



Sizes / Dimensions

Size (Inches)	Size (mm)	A ± 1.5	B ~	ØC ~
1/2	15	75	90	55
3/4	20	85	105	60
1	25	95	115	70
1 1/4	32	110	127	80
1 1/2	40	120	138	90
2	50	145	162	100
2 1/2	65	165	183	115
3	80	185	207	125
4	100	216	250	160