

## 1053 Bronze Y-Type Strainer (Screwed)

### Salient Features

- Screwed Female Ends to BSPT.
- Stainless Steel 1 mm hole diameter perforated sheet screen is guided in the body and cover.
- Fine finish and smooth contours reduce pressure drop in the strainer.
- Large screening area makes the strainer efficient in performance.

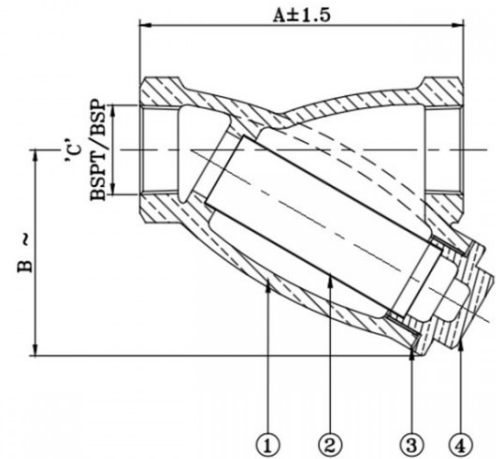
Test Pressure (Hydrostatic) :  
Shell : 35.15 kg/cm<sup>2</sup>g (500 psig)  
Working Pressure (Steam) : 17.58 kg/cm<sup>2</sup>g (250 psig)  
Maximum Working Temperature : 225°C



**Suitable For**  
Steam, Water

### Materials

P.No.	Name of Part	Material of Construction	Specification	Quantity
1	Body	Bronze	IBR 282 (a) (iv) Gr. B	1
2	Screen (Ø1 mm Perforation)	Stainless Steel	Type 304	1
3	Gasket	Steam Jointing Sheet	IS 2712 Gr. W/3	1
4	Cover	Bronze	IBR 282 (a) (iv) Gr. B	1



### Sizes / Dimensions

Size (Inches)	Size (mm)	A ±1.5	B ~	C
1/2	15	76	52	1/2"
3/4	20	98	67	3/4"
1	25	133	85	1"
1 1/4	32	152	98	1 1/4"
1 1/2	40	178	116	1 1/2"
2	50	222	140	2"