

1054 Bronze Y-Type Strainer (Flanged) I.B.R.

Salient Features

- Flanged Ends to BS 10 Table 'H'.
- Stainless Steel 1 mm hole diameter perforated sheet screen is guided in the body and cover.
- Fine finish and smooth contours reduce pressure drop in the strainer.
- Large screening area makes the strainer efficient in performance.

Test Pressure (Hydrostatic) :

Shell : 35.15 kg/cm²g (500 psig)

Working Pressure (Steam) : 17.58 kg/cm²g (250 psig)

Maximum Working Temperature : 225°C

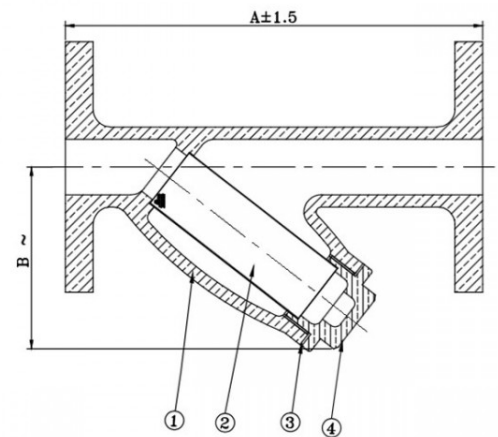
Suitable For

Steam, Water



Materials

| P.No. | Name of Part | Material of Construction | Specification | Quantity |
|-------|----------------------------|--------------------------|------------------------|----------|
| 1 | Body | Bronze | IBR 282 (a) (iv) Gr. B | 1 |
| 2 | Screen (Ø1 mm Perforation) | Stainless Steel | Type 304 | 1 |
| 3 | Gasket | Steam Jointing Sheet | IS 2712 Gr. W/3 | 1 |
| 4 | Cover | Bronze | IBR 282 (a) (iv) Gr. B | 1 |



Sizes / Dimensions

| Size (Inches) | Size (mm) | A ± 1.5 | B ~ |
|---------------|-----------|---------|-----|
| 1/2 | 15 | 136 | 68 |
| 3/4 | 20 | 140 | 85 |
| 1 | 25 | 162 | 110 |
| 1 1/4 | 32 | 178 | 120 |
| 1 1/2 | 40 | 203 | 145 |
| 2 | 50 | 203 | 188 |